



OPSCO

ORCHARD PUMP & SUPPLY CO.

- RESIDENTIAL
- COMMERCIAL/INDUSTRIAL
- WATER SYSTEMS
- WASTEWATER SYSTEMS
- TURBINE PUMP SYSTEMS
- ENGINEERED SYSTEMS
- FULL-SERVICE REPAIR
- WATER TREATMENT
- MUNICIPAL SERVICES
- OIL & GAS

COMPANY PROFILE



Camp Hill
717.695.2471

Ephrata
717.733.6151

Lewisburg
570.523.1111

Scranton
570.256.1813

State College
814.867.3800

OPSCO Service
570.551.6490

RESIDENTIAL WATER SYSTEMS



Since 1987 Orchard Pump and Supply Company has been serving clients throughout Pennsylvania and the surrounding regions. At OPSCO we pride ourselves in providing superior service to all of our well drilling and plumbing customers, and from the simplest residential applications to the most complicated and complex agricultural systems, we are your partner of choice. We specialize in water, wastewater and water treatment products for residential, commercial, contractor, municipal and industrial applications. We assist with system design, selection, installation, and troubleshooting of the products we sell.

We stock all the components necessary for residential water systems. From shallow well jet pumps to deep well submersibles, pressure tanks to pressure switches, pipe, wire and the smallest accessories we have the inventory, and our team has expertise for all of your projects.



1-800-776-7867





Camp Hill
717.695.2471

Ephrata
717.733.6151

Lewisburg
570.523.1111

Scranton
570.256.1813

State College
814.867.3800

OPSCO Service
570.551.6490

RESIDENTIAL & COMMERCIAL WATER TREATMENT SYSTEMS



Whether a small residential system, commercial building, industrial application, or restaurant that has stringent requirements for the quality of water, OPSCO experts can help. OPSCO water treatment experts can test, analyze, and recommend the appropriate treatment, equipment, and sequence of operation for the proper treatment and delivery of safe, potable water.



www.orchardpump.com



Camp Hill
717.695.2471

Ephrata
717.733.6151

Lewisburg
570.523.1111

Scranton
570.256.1813

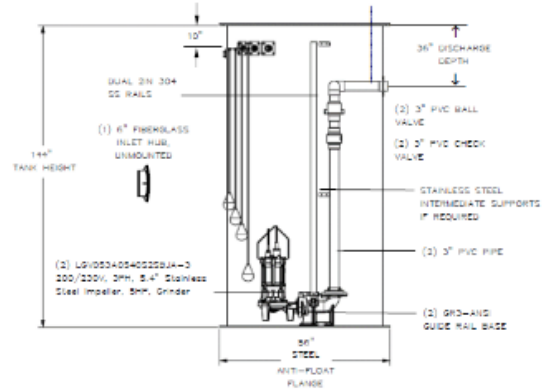
State College
814.867.3800

OPSCO Service
570.551.6490

WASTEWATER



Managing wastewater is a critical component of today's environmental focus. Our experience ensures that a systematic approach will offer a comprehensive solution to unique wastewater installations.



Pump designs such as solids handling, non-clog, vortex, and grinder offer unique capabilities suited for any wastewater application. Lift stations, holding tanks, on-site septic and pump chambers are available in blow molded fiberglass or blow molded poly providing secure containment of the waste in preparation for treatment.

Liberty Pumps®

Engineered **Products**

CRANE PUMPS & SYSTEMS

1-800-776-7867





Camp Hill
717.695.2471

Ephrata
717.733.6151

Lewisburg
570.523.1111

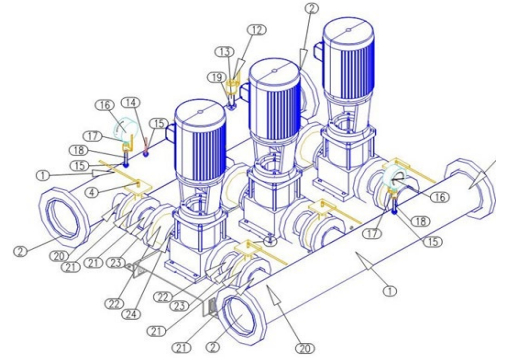
Scranton
570.256.1813

State College
814.867.3800

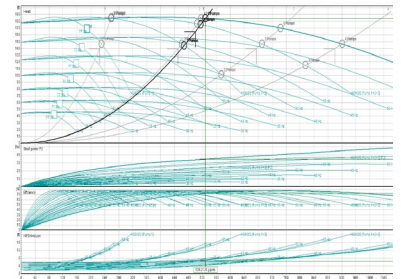
OPSCO Service
570.551.6490

ENGINEERED PUMP SYSTEMS

Delivering quality water while being environmentally conscientious has elevated the significance of efficient pumping systems. Options range from submersible, centrifugal, vertical multi-stage pumps, and more. Our expertise can guide designers and end users towards appropriate sizing and selection of pumps and pumping systems.



Whether the installation is a multi-story building or a property with low municipal pressure, we can provide recommendations for either packaged units or component systems that offer significant savings. The wide range of pump configurations allows us to target efficient designs suited for the owner's particular application.



www.orchardpump.com



Camp Hill
717.695.2471

Ephrata
717.733.6151

Lewisburg
570.523.1111

Scranton
570.256.1813

State College
814.867.3800

OPSCO Service
570.551.6490

VFD & CUSTOM CONTROL SYSTEMS

Variable Frequency Drive controls are the future of water systems. OPSCO specializes in VFDs and custom engineered control panels. OPSCO also offers the OPSVIEW configured HMI touchscreen with a configured Siemens PLC for any application.



Our experienced technical staff will work closely with engineers to design and build a custom engineered system for any application. OPSCO offers drive & custom OPSVIEW HMI programming, start-up and field services with our engineered systems.

YASKAWA



 SJE RHOMBUS.

SIEMENS



1-800-776-7867



Camp Hill
717.695.2471

Ephrata
717.733.6151

Lewisburg
570.523.1111

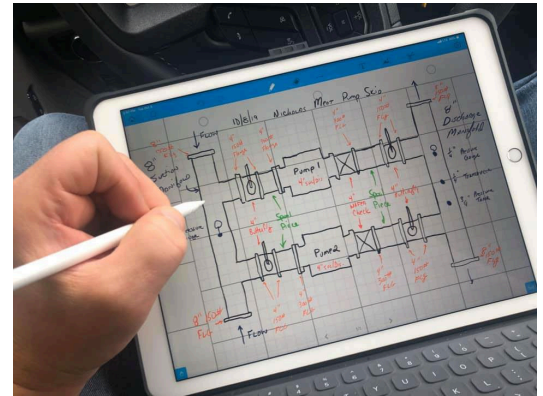
Scranton
570.256.1813

State College
814.867.3800

OPSCO Service
570.551.6490

OPSCO SERVICE

OPSCO Service is our full-service pump and motor repair / rewind facility. Our repair technicians are factory trained and have over thirty years of repair experience. We repair all makes and models including end suction, split case, vertical turbine, positive displacement, air-operated diaphragm and submersible pumps and mixers. In addition, we offer a rewind and repair service for electric motors. We offer pick-up and delivery service, and we offer emergency service 24/7.



www.orchardpump.com





Camp Hill
717.695.2471

Ephrata
717.733.6151

Lewisburg
570.523.1111

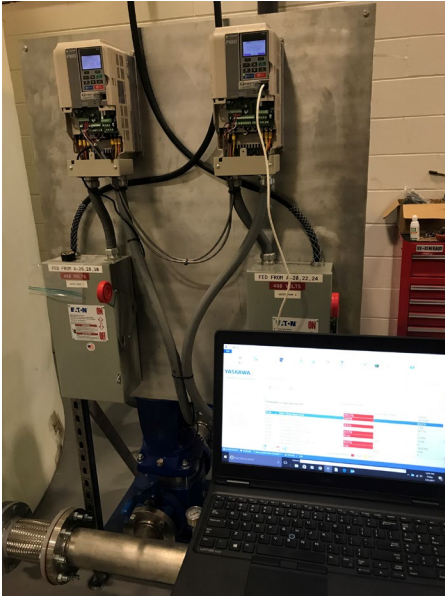
Scranton
570.256.1813

State College
814.867.3800

OPSCO Service
570.551.6490

FIELD SUPPORT

OPSCO provides pump and control field diagnostics and troubleshooting support. Our factory trained salespeople offer pump and control start-up support. We also provide onsite motor testing with our Baker ST-103 Winding Analyzer.



1-800-776-7867





Camp Hill
717.695.2471

Ephrata
717.733.6151

Lewisburg
570.523.1111

Scranton
570.256.1813

State College
814.867.3800

OPSCO Service
570.551.6490

LOCATIONS

OPSCO has 6 locations and a centralized warehouse facility to serve our clients in Pennsylvania, New York, and beyond. We are your partner of choice for any water system, wastewater system, water treatment system, or engineered pumping system in any market.

A single component or a complete system, we stock all you will need for your home water system, wastewater system or water treatment system.

Pick-up what you need at one of our convenient locations or allow us to deliver your order on a regularly scheduled delivery.

We offer 24/7 emergency service as well.



www.orchardpump.com





OPSCO

ORCHARD PUMP & SUPPLY CO.

Camp Hill
717.695.2471

Ephrata
717.733.6151

Lewisburg
570.523.1111

Scranton
570.256.1813

State College
814.867.3800

OPSCO Service
570.551.6490

LOCATIONS MAP



1-800-776-7867





Camp Hill
717.695.2471

Ephrata
717.733.6151

Lewisburg
570.523.1111

Scranton
570.256.1813

State College
814.867.3800

OPSCO Service
570.551.6490

LEWISBURG, PA

- ◆ CORPORATE HEADQUARTERS
- ◆ WHOLESALE WAREHOUSE
- ◆ TRAINING CENTER
- ◆ COMMERCIAL SALES OFFICE



CAMP HILL, PA



- ◆ WHOLESALE WAREHOUSE
- ◆ SALES OFFICE
- ◆ COMMERCIAL SALES



www.orchardpump.com





Camp Hill
717.695.2471

Ephrata
717.733.6151

Lewisburg
570.523.1111

Scranton
570.256.1813

State College
814.867.3800

OPSCO Service
570.551.6490

EPHRATA, PA

- ◆ **WHOLESALE WAREHOUSE**
- ◆ **SALES OFFICE**
- ◆ **COMMERCIAL SALES**



SCRANTON, PA



- ◆ **WHOLESALE WAREHOUSE**
- ◆ **SALES OFFICE**
- ◆ **COMMERCIAL SALES**

STATE COLLEGE, PA

- ◆ **WHOLESALE WAREHOUSE**
- ◆ **SALES OFFICE**
- ◆ **COMMERCIAL SALES**



1-800-776-7867





Camp Hill
717.695.2471

Ephrata
717.733.6151

Lewisburg
570.523.1111

Scranton
570.256.1813

State College
814.867.3800

OPSCO Service
570.551.6490

WINFIELD, PA

- ◆ OPSCO SERVICE
- ◆ DISTRIBUTION WAREHOUSE



www.orchardpump.com





Camp Hill
717.695.2471

Ephrata
717.733.6151

Lewisburg
570.523.1111

Scranton
570.256.1813

State College
814.867.3800

OPSCO Service
570.551.6490

VENDOR LINE CARD



1-800-776-7867





Camp Hill
717.695.2471

Ephrata
717.733.6151

Lewisburg
570.523.1111

Scranton
570.256.1813

State College
814.867.3800

OPSCO Service
570.551.6490

RESIDENTIAL ~ COMMERCIAL ~ INDUSTRIAL MUNICIPAL ~ ENGINEERED SYSTEMS

WATER SYSTEMS

Jet ~ Submersible ~ End Suction Centrifugal
Multi-Stage Booster ~ Constant Pressure ~ Variable Speed
Poly Pipe ~ Pressure Tanks ~ Submersible Wire ~ Accessories

WATER TREATMENT SYSTEMS

Softeners ~ Filters ~ Combo Units ~ UV Purifiers
Chemical Feed ~ Reverse Osmosis ~ Water Testing

WASTEWATER SYSTEMS

Sump ~ Effluent ~ Sewage
Grinder ~ Dewatering ~ Packaged Systems
Fiberglass & Poly Basins ~ Simplex & Duplex Controls
Float Switches & Alarms ~ Cistern/Septic Tanks

VALUE ENGINEERED SYSTEMS

Water Transfer ~ Booster Stations ~ Dewatering
Variable Frequency Drives ~ Custom Engineered Controls
Rainwater Harvesting ~ Lift Stations ~ Elevator Sump
Dewatering ~ Commercial Water Treatment

OPSCO SERVICE

Repair ~ Rewind ~ Rental
Emergency Service

www.orchardpump.com





Camp Hill
717.695.2471

Ephrata
717.733.6151

Lewisburg
570.523.1111

Scranton
570.256.1813

State College
814.867.3800

OPSCO Service
570.551.6490

INDUSTRY MEMBERSHIPS



1-800-776-7867





Camp Hill
717.695.2471

Ephrata
717.733.6151

Lewisburg
570.523.1111

Scranton
570.256.1813

State College
814.867.3800

OPSCO Service
570.551.6490

NOTES

www.orchardpump.com





OPSCO

ORCHARD PUMP & SUPPLY CO.

www.orchardpump.com